

MOUNTED TAPERED ROLLER BEARINGS

# Harsh Duty™ Series

## The strongest line of defense

Building on over 80 years of proven resilience for which the Type E family is known, the Harsh Duty series of Type E and TAF takes performance to the next level in the dirtiest, toughest applications. In heavy particulate environments, over half of bearing failures are directly caused by contamination. Harsh Duty series tackles this challenge head-on with key upgrades to outperform and outlast the competition no matter the application.

As the first layer of protection, the new ArmorTect sealing system features four points of contact and two trash guards for maximum protection, keeping contaminants out and clean grease in. Its mechanically retained ArmorTect seal is designed to prevent seal blowout while allowing purging, efficiently directing new grease to the right place for optimized lubrication. Harsh Duty bearings are factory-filled to 100 percent with grease, adding an extra layer of protection against solid and liquid contamination in harsh environments. Backed by an unprecedented 1-year performance guarantee when paired with OPTIFY™ Intelli-Lube®, Harsh Duty keeps your equipment moving no matter what you throw at it.



TAF Harsh Duty

Type E Harsh Duty



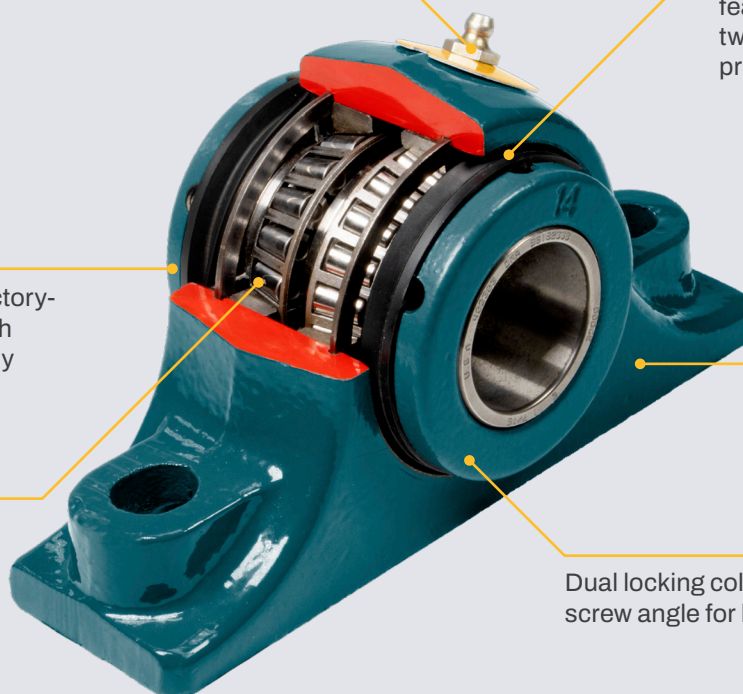
OPTIFY Intelli-Lube-compatible for hands-free, automatic lubrication



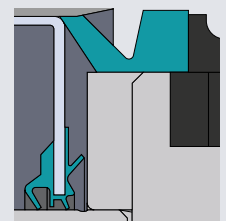
Pre-drilled and tapped, sensor-ready housing

Pre-assembled and factory-filled to 100 percent with grease to be shaft-ready out of the box

Industry-leading capacity ratings for maximum reliability in heavy-load applications



ArmorTect sealing system features four points of contact and two trash guards for maximum protection against contamination



Available in multiple housing styles to provide a solution for every application

Dual locking collars utilize a 65-degree set screw angle for best-in-class holding power



## Unprecedented performance guarantee

We stand behind our claims. Because we know we offer solutions you can rely on, Harsh Duty bearings feature an unprecedented 1-year performance guarantee against failure due to solid particle contamination when commissioned and maintained with OPTIFY Intelli-Lube, our connected, automatic single-point lubricator.



### Part numbers

Bore (in)	Maximum speed (rpm)	Type E Harsh Duty				TAF Harsh Duty			
		2-bolt pillow block	4-bolt pillow block	Top-angle take-up	Wide-slot take-up	2-bolt pillow block		4-bolt pillow block	
						Non-expansion	Expansion	Non-expansion	Expansion
<b>Lithium-complex grease</b>									
1-15/16	1,068	013923	—	013935	013940	013943	013947	—	—
2-7/16	850	013924	013927	013936	013941	013944	013948	013951	013959
2-15/16	720	013925	013928	013937	013942	013945	013949	013952	013960
3-7/16	573	013926	013929	013938	—	013946	013950	013953	013961
3-15/16	535	—	013930	013939	—	—	—	013954	013962
4-7/16	475	—	013931	—	—	—	—	013955	013963
4-15/16	420	—	013932	—	—	—	—	013956	013964
5-7/16	320	—	013933	—	—	—	—	013957	013965
5-15/16	320	—	013934	—	—	—	—	013958	013966
<b>Synthetic lithium-complex grease</b>									
1-15/16	1,068	013967	—	013979	013984	013987	013991	—	—
2-7/16	850	013968	013971	013980	013985	013988	013992	013854	013862
2-15/16	720	013969	013972	013981	013986	013989	013993	013855	013863
3-7/16	573	013970	013973	013982	—	013990	013994	013856	013864
3-15/16	535	—	013974	013983	—	—	—	013857	013865
4-7/16	475	—	013975	—	—	—	—	013858	013866
4-15/16	420	—	013976	—	—	—	—	013859	013867
5-7/16	320	—	013977	—	—	—	—	013860	013868
5-15/16	320	—	013978	—	—	—	—	013861	013869

Note: Additional sizes are available, and contact your local Dodge® Sales Engineer for more information



## Manufactured in the USA

Backed by high-quality, US-based manufacturing in our ISO 9001-certified facility in Marion, NC



**PTPlace**

For additional product information, visit [dodge.ptplace.com/qr](http://dodge.ptplace.com/qr)



**PTWizard**

For product selection and grease calculator tools, visit [ptwizard.com](http://ptwizard.com)